

# FIREHOUSE DUTY

**HE**  
**SERIES**

Washer-Extractor

35 - 45 - 65 - 85 - 110  
pound capacities



# Specifications

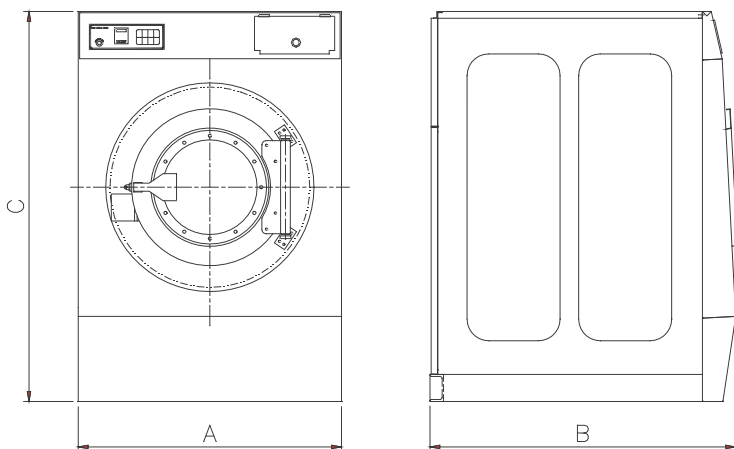
Designed to safely and effectively process turnout gear

MODEL	Units		HE-35		HE-45		HE-65		HE-85		HE-110			
	Metric	US												
<b>CAPACITY:</b>			kg	lbs	15.9	35.0	20.5	45.0	29.5	65.0	38.6	85.0	50.0	110.0
<b>OVERALL DIMENSIONS:</b>														
A - Width	mm	in	737	29.0	787	31.0	879	34.6	1048	41.3	1048	41.3		
B - Depth	mm	in	889	35.0	1092	43.0	1168	46.0	1219	48.0	1363	53.7		
C - Height	mm	in	1276	50.3	1321	52.0	1530	60.3	1721	67.8	1721	67.8		
<b>WEIGHT AND SHIPPING INFORMATION:</b>														
Net Weight	kg	lbs	235	517	480	1055	660	1450	785	1728	958	2108		
Domestic shipping weight	kg	lbs	246	543	492	1083	720	1584	803	1767	981	2160		
<b>CYLINDER INFORMATION:</b>														
Diameter	mm	in	612	24.1	683	26.9	790	31.1	924	36.4	924.0	36.4		
Depth	mm	in	435	17.13	525	20.7	560	22	574	22.6	718.0	28.3		
Volume	liters	cu ft	128	4.52	187	6.6	274	9.7	372	13.13	467	16.5		
<b>CYLINDER SPEEDS:</b>														
Wash	rpm	g	48.5	0.8	46	0.8	43	0.8	39.5	0.8	39.5	0.8		
Distribution	rpm	g	77	2	73	2	67	2	62	2	62	2		
Extract	rpm	g	540	100	513	100	576	100	442	100	442	100		
<b>DOOR OPENING AND HEIGHT:</b>														
Diameter	mm	in	400	15.7	400	15.7	450	17.7	520	20.5	520	20.5		
Height of door bottom above floor	mm	in	355	14	475	18.7	569	22.4	616	24.25	616	24.25		
<b>DRIVE INFORMATION:</b>														
Number of motors	Number		1		1		1		1		1			
Size of motor	kW	Hp	1.5	2	2.2	3	3.7	5	5.5	7.5	7.5	10		
<b>WATER INLETS</b>														
Hot water size	DN	in	20	3/4	20	3/4	20	3/4	20	3/4	25	1		
Cold water size	DN	in	20	3/4	20	3/4	20	3/4	20	3/4	25	1		
Additional water Inlet	DN	in	20	3/4	20	3/4	20	3/4	20	3/4	25	1		
<b>DRAIN OUTLETS AND CAPACITY:</b>														
Drain size	mm	in	51	2	76.2	3	76.2	3	76.2	3	76.2	3		
<b>STEAM INLET and CONSUMPTION:</b>														
Steam inlet size	DN	in	13	1/2	13	1/2	13	1/2	20	3/4	20	3/4		
<b>ELECTRICAL SERVICE:</b>														
208-240VAC, 50/60Hz, 1PH	Amps	Breaker	6.2	15	8.1	15	8.8	15	22	25	31	40		
208-240VAC, 50/60Hz, 3PH	Amps	Breaker	3.6	15	4.7	15	5.1	15	12.7	15	18	20		
380-480VAC, 50/60Hz, 3PH	Amps	Breaker	1.8	15	2.3	15	2.5	15	6.3	15	9	15		

Due to our policy of ongoing improvements, all specifications are subject to change without notice.

## Standard Features:

- ◆ Fully compliant with NFPA standards
- ◆ All wetted parts are 304 (18/8) stainless steel
- ◆ 4 compartment supply dispenser
- ◆ 30 cycle microprocessor
- ◆ 100G extraction force
- ◆ 5 degree lean back for strength and easier loading
- ◆ Built in vacuum breaker
- ◆ Variable speed inverter drive



**FC-20 Drying Cabinet**  
Especially designed for  
Turnout gear, also available

