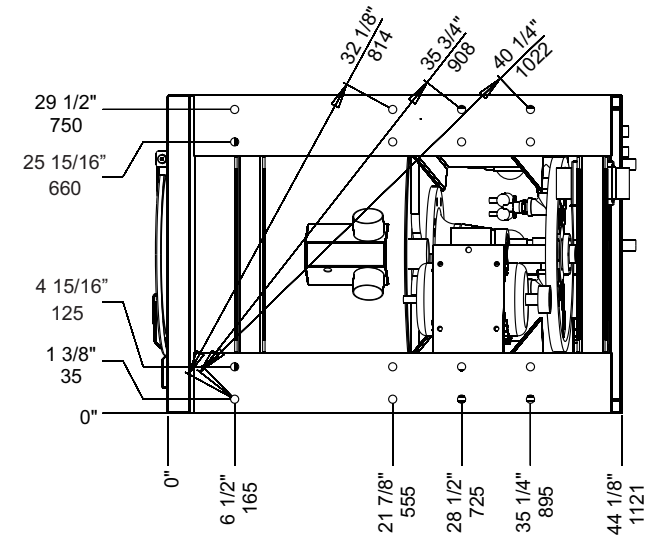
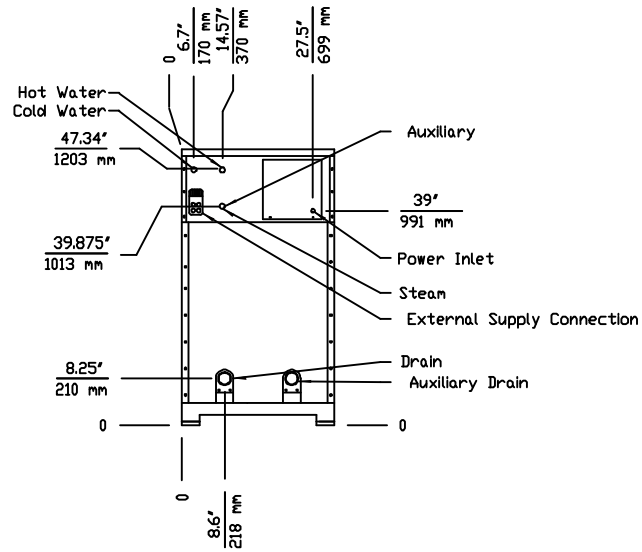
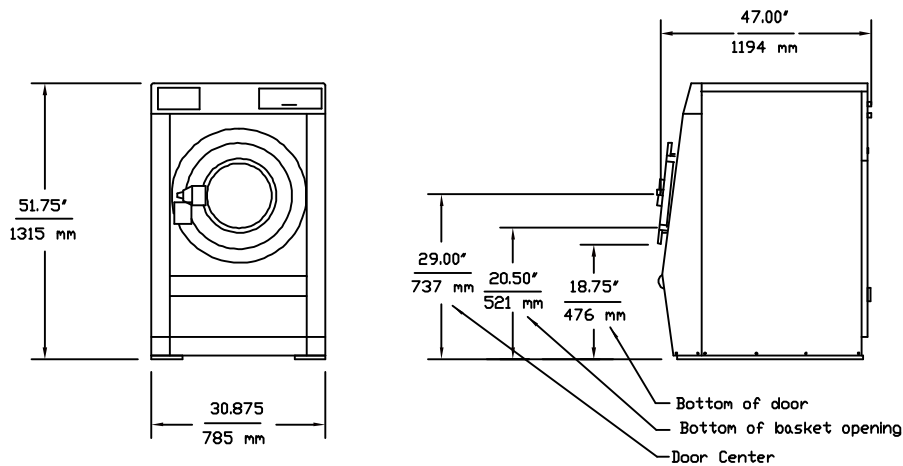


A



**MOUNTING BOLT DETAIL**

Foundation details are on pages 17-21 in the HE Series Installation & Operation Manual

Actual machine footprint is:  
30-29/32" (785mm) W x 37-3/4" (959mm) D

**Electrical Requirements**

Voltage	Phase	System Wire	Wire Size	Amps	Breaker
208-240VAC, 50/60Hz, 1PH	1	2 + GND	14	8.1	15
208-240VAC, 50/60Hz, 3PH	3	3 + GND	14	4.7	15
380-460VAC, 50/60Hz, 3PH	3	3 + GND	14	2.3	15
208-240VAC, 50/60Hz, 3PH Elec. Heat	3	3 + GND	4	48	60
380-460VAC, 50/60Hz, 3PH Elec. Heat	3	3 + GND	10	24	30

**Drain Requirements**

Connection Size		Discharge Rate		Min Sewer Line	
inches	mm	gal/min	liters/min	inches	mm
2-3/8	60	35	133	3	76

**Water Requirements**

Hot Water				Flow Rate (@45PSI/3Bar)		Minimum Supply Line Size		Max Operating Pressure			
Connection Size		Line Pressure		Max Temp		Minimum Supply Line Size		Max Operating Pressure			
US	Metric	PSI	Bar	F	C	US	Metric	US	Metric		
3/4"	DN 19	30-75	2-5	200	93	11	40	3/4"	DN 19	125 PSI	8 Bar

**Steam Requirements**


Steam				Minimum Supply Line Size		Max Operating Pressure	
Connection Size		Line Pressure		Minimum Supply Line Size		Max Operating Pressure	
US	Metric	PSI	Bar	US	Metric	US	Metric
1/2"	DN 12	30-75	2-5	1/2"	DN 12	100 PSI	6 Bar

**Dynamic Load Specifications**

Static Load		Dynamic Load		Dynamic Frequency
lbs	kN	lbs	kN	Hz
1055	4.7	1200	5.3	10.5

**Shipping Data**

Type	lbs	kg	cu ft	cu m
Domestic	937	426	49	1.4
Export	988	449	49	1.4

REV	BY	DATE	REV. DESCRIPTION
A4	AFA	7/31/2023	Added machine footprint
DRAWN BY		DATE	 Panama City, FL Phone: 850-249-2222 Fax: 850-249-2226 www.bandctech.com
A. Adcock		9-30-2013	
CHECKED BY		DATE	
S. Brown		9-30-2013	
DESCRIPTION			
General Technical Specifications			
<b>HE-45</b>			
DATE	FILE NAME	SHEET	
9-30-2013	HE-45GenSpec.cdr	1 OF 1	