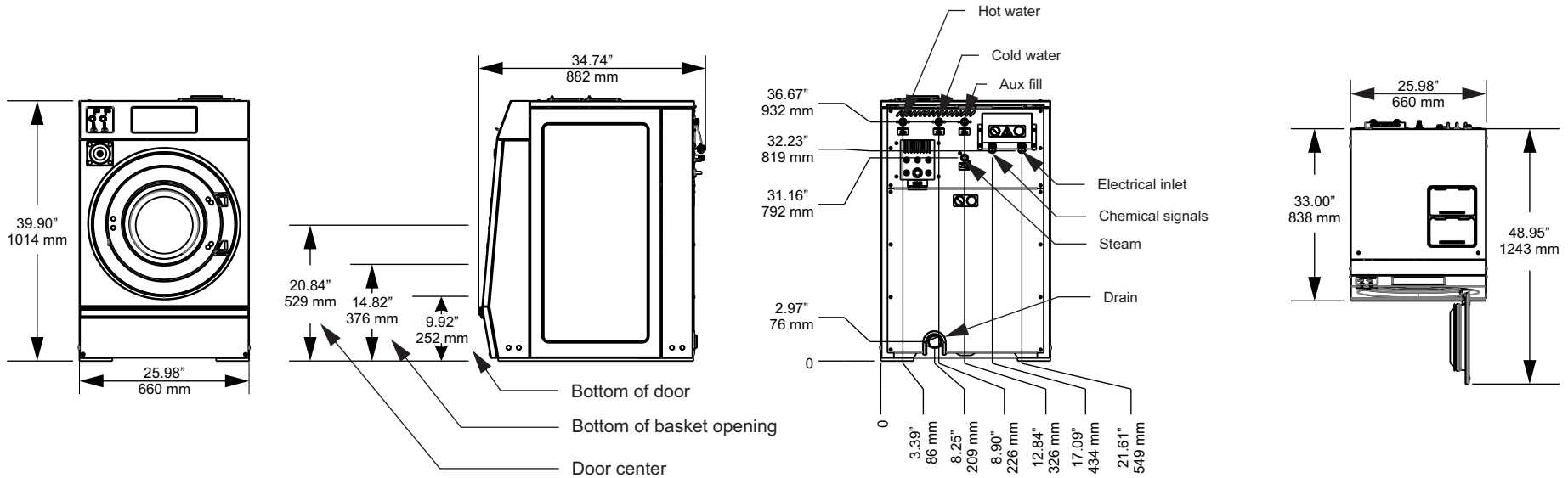


A



Electrical Requirements

Voltage	Phase	System Wire	Amps	Breaker
120VAC, 50/60Hz, 1PH	1	2 + GND	12	15
208-240VAC, 50/60Hz, 1PH	1	2 + GND	6	15
208-240VAC, 50/60Hz, 3PH	3	3 + GND	3.4	15
380-460VAC, 50/60Hz, 3PH	3	3 + GND	1.7	15
208-240VAC, 50/60Hz, 3PH Elec. Heat	3	3 + GND	24	3
380-460VAC, 50/60Hz, 3PH Elec. Heat	3	3 + GND	13	15

Drain Requirements

Connection Size		Discharge Rate		Min Sewer Line	
inches	mm	gal/min	liters/min	inches	mm
2-3/8	60	35	133	3	76

Water Requirements

Water						Flow Rate (@45PSI/3Bar)		Minimum Supply Line Size		Max Operating Pressure	
Connection Size		Line Pressure		Max Temp		gal/min	liter/min	US	Metric	US	Metric
US	Metric	PSI	Bar	F	C						
3/4"	DN 19	30-75	2-5	200	93	11	40	3/4	DN 19	125 PSI	8 Bar

Steam Requirements

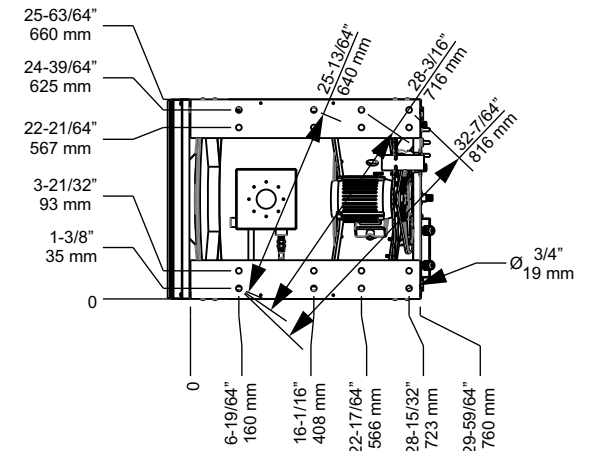
Steam				Minimum Supply Line Size		Max Operating Pressure	
Connection Size		Line Pressure		Line Size		Pressure	
US	Metric	PSI	Bar	US	Metric	US	Metric
1/2"	DN 12	30-75	2-5	1/2"	DN 12	100 PSI	6 Bar

Dynamic Load Specifications

Static Load		Dynamic Load		200G Dynamic Frequency
lbs	kN	lbs	kN	Hz
562	2.5	1560	6.9	13.6

Shipping Data

Type	lbs	kg	cu ft	cu m
Domestic	439	200	29.6	0.8
Export	470	214	29.6	0.8



MOUNTING BOLT DETAIL

Foundation details are in the HX Series Installation & Operation Manual

REV	BY	DATE	REV. DESCRIPTION
A1	AFA	8-11-2022	Created
DRAWN BY		DATE	Panama City Beach, FL Phone: 850-249-2222 Fax: 850-249-2226 www.bandctech.com
A. Adcock		8-11-2022	
CHECKED BY		DATE	
P. Noblitt		8-11-2022	
DESCRIPTION			
General Technical Specifications			
HX-22			
DATE	FILE NAME	SHEET	
8-11-2022	HX-22GenSpec.cdr	1 OF 1	