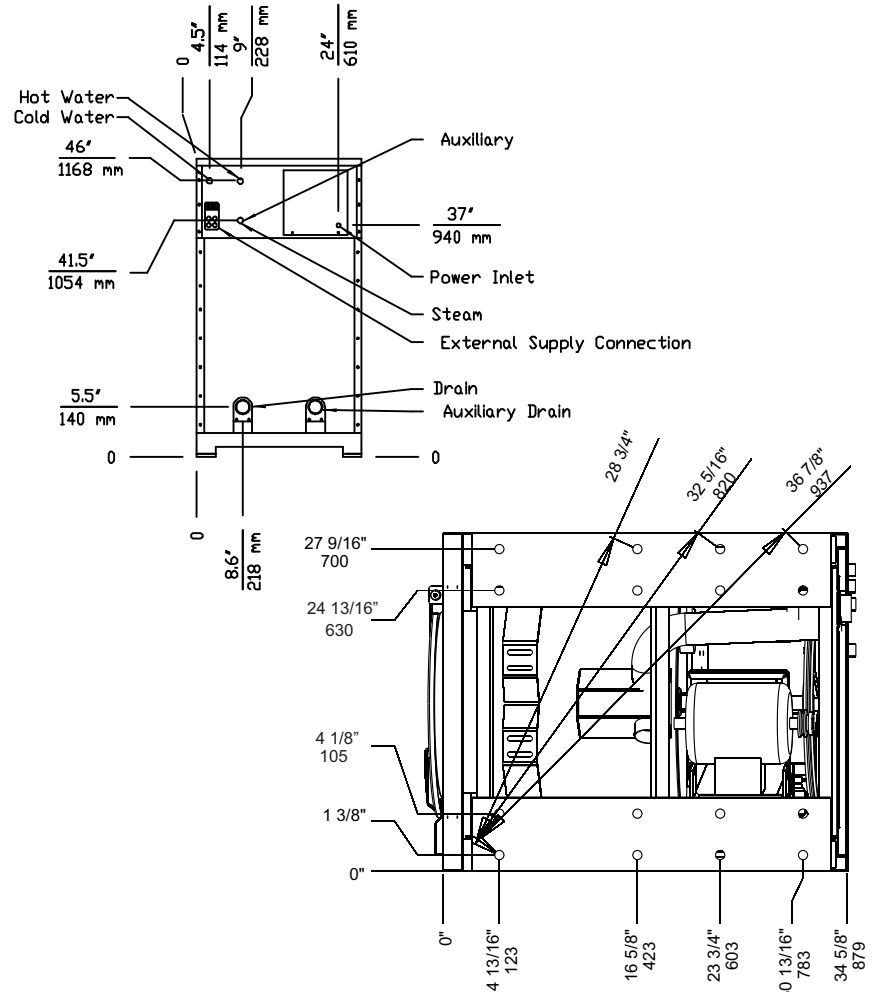
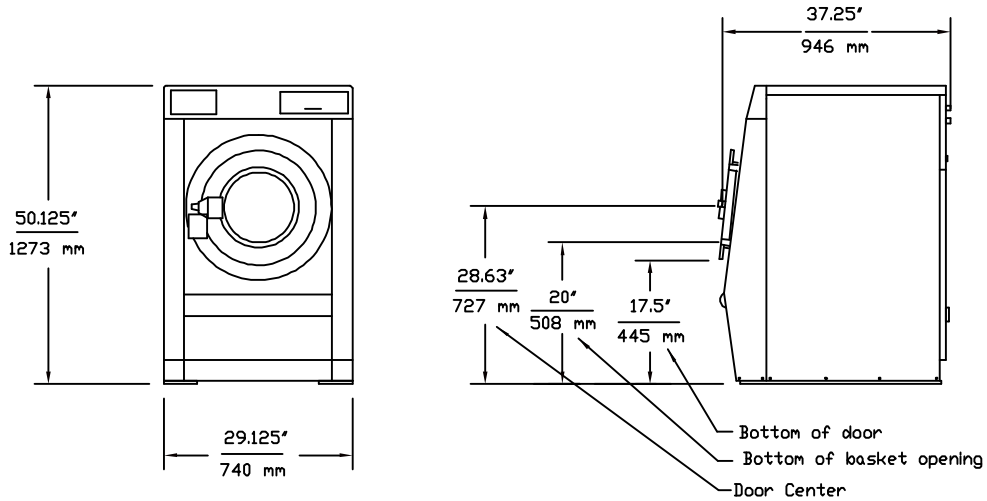


A



Electrical Requirements

Voltage	Phase	System Wire	Wire Size	Amps	Breaker
208-240VAC, 50/60Hz, 1PH	1	2 + GND	14	6.2	15
208-240VAC, 50/60Hz, 3PH	3	3 + GND	14	3.6	15
380-460VAC, 50/60Hz, 3PH	3	3 + GND	14	1.8	15
208-240VAC, 50/60Hz, 3PH Elec. Heat	3	3 + GND	10	24	30
380-460VAC, 50/60Hz, 3PH Elec. Heat	3	3 + GND	14	12	15

Drain Requirements

Connection Size		Discharge Rate		Min Sewer Line	
inches	mm	gal/min	liters/min	inches	mm
2-3/8	60	35	133	3	76

Water Requirements

Hot Water				Flow Rate (@45PSI/3Bar)		Minimum Supply Line Size		Max Operating Pressure			
Connection Size		Line Pressure		Max Temp							
US	Metric	PSI	Bar	F	C	gal/min	liter/min	US	Metric		
3/4"	DN 19	30-75	2-5	200	93	8	30	3/4	DN 19	125 PSI	8 Bar

Steam Requirements

Steam				Minimum Supply Line Size		Max Operating Pressure	
Connection Size		Line Pressure					
US	Metric	PSI	Bar	US	Metric	US	Metric
1/2"	DN 12	30-75	2-5	1/2"	DN 12	100 PSI	6 Bar

Dynamic Load Specifications

Static Load		Dynamic Load		Dynamic Frequency
lbs	kN	lbs	kN	Hz
517	2.3	900	4	11.1


Shipping Data

Type	lbs	kg	cu ft	cu m
Domestic	680	308	34	1
Export	720	327	34	1

MOUNTING BOLT DETAIL

Foundation details are in the HE Series Installation & Operation Manual

Actual machine footprint is:
28-15/16" (735mm) W x 30-23/32" (780mm) D

REV	BY	DATE	REV. DESCRIPTION
A2	AFA	7/31/2023	Added machine footprint
DRAWN BY		DATE	 Panama City, FL Phone: 850-249-2226 Fax: 850-249-2226 www.bandctech.com
A. Adcock		9-30-2013	
CHECKED BY		DATE	
S. Brown		9-30-2013	
DESCRIPTION			
General Technical Specifications			
HE-35			
DATE	FILE NAME	SHEET	
9-30-2013	HE-35GenSpec.cdr	1 OF 1	