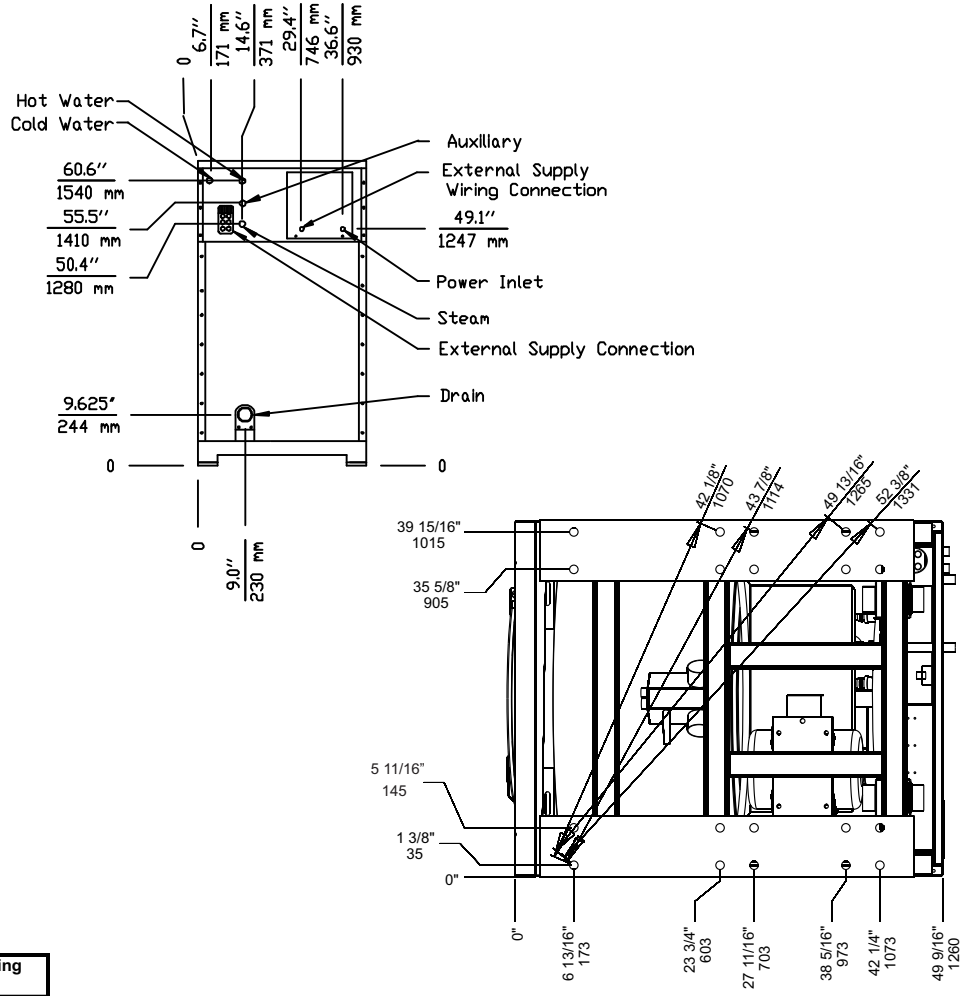
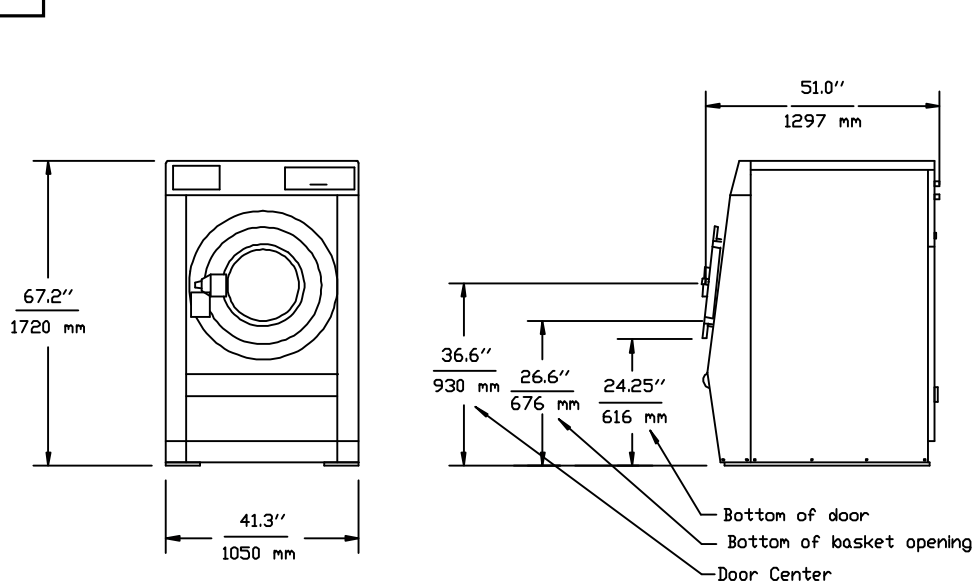


A



**Electrical Requirements**

| Voltage                             | Phase | System Wire | Wire Size | Amps | Breaker |
|-------------------------------------|-------|-------------|-----------|------|---------|
| 208-240VAC, 50/60Hz, 1PH            | 1     | 2 + GND     | 12        | 22   | 25      |
| 208-240VAC, 50/60Hz, 3PH            | 3     | 3 + GND     | 12        | 12.7 | 15      |
| 380-460VAC, 50/60Hz, 3PH            | 3     | 3 + GND     | 12        | 6.3  | 15      |
| 208-240VAC, 50/60Hz, 3PH Elec. Heat | 3     | 3 + GND     | 3         | 75   | 80      |
| 380-460VAC, 50/60Hz, 3PH Elec. Heat | 3     | 3 + GND     | 8         | 38   | 40      |

**Drain Requirements**

| Connection Size |    | Discharge Rate |            | Min Sewer Line |     |
|-----------------|----|----------------|------------|----------------|-----|
| inches          | mm | gal/min        | liters/min | inches         | mm  |
| 3               | 76 | 86             | 326        | 4              | 102 |

**Water Requirements**

| Water           |        |               |     | Flow Rate (@45PSI/3Bar) |    | Minimum Supply Line Size |           | Max Operating Pressure |        |
|-----------------|--------|---------------|-----|-------------------------|----|--------------------------|-----------|------------------------|--------|
| Connection Size |        | Line Pressure |     | Max Temp                |    | US                       | Metric    | US                     | Metric |
| US              | Metric | PSI           | Bar | F                       | C  | gal/min                  | liter/min | US                     | Metric |
| 3/4"            | DN 19  | 30-75         | 2-5 | 200                     | 93 | 11                       | 40        | 1                      | DN 25  |
|                 |        |               |     |                         |    |                          |           | 125 PSI                | 8 Bar  |

**Steam Requirements**

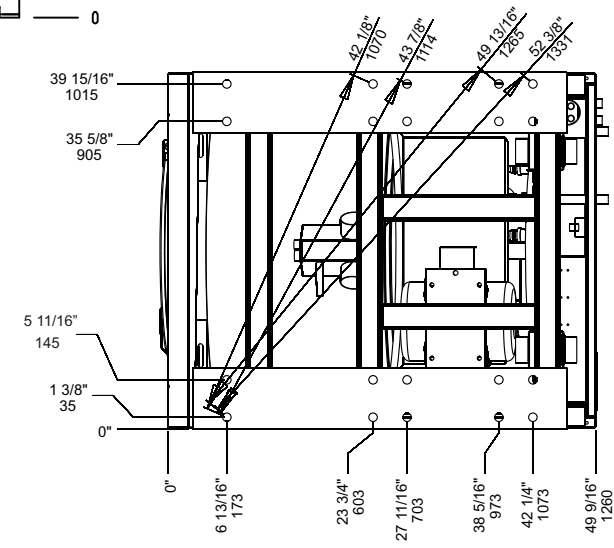
| Steam           |        |               |     | Minimum Supply Line Size |        | Max Operating Pressure |        |
|-----------------|--------|---------------|-----|--------------------------|--------|------------------------|--------|
| Connection Size |        | Line Pressure |     | US                       | Metric | US                     | Metric |
| US              | Metric | PSI           | Bar | US                       | Metric | US                     | Metric |
| 3/4"            | DN 19  | 30-75         | 2-5 | 3/4"                     | DN 19  | 100 PSI                | 6 Bar  |

**Dynamic Load Specifications**

| Static Load |     | Dynamic Load |      | Dynamic Frequency |
|-------------|-----|--------------|------|-------------------|
| lbs         | kN  | lbs          | kN   | Hz                |
| 1950        | 8.7 | 2400         | 10.7 | 8.9               |

**Shipping Data**


| Type     | lbs  | kg  | cu ft | cu m |
|----------|------|-----|-------|------|
| Domestic | 1800 | 818 | 93    | 2.6  |
| Export   | 1870 | 850 | 93    | 2.6  |



**MOUNTING BOLT DETAIL**

Foundation details are in the HE Series Installation & Operation Manual

Actual machine footprint is: 41-11/32" (1050mm) W x 43-5/16" (1100mm) D

| REV                              | BY               | DATE      | REV. DESCRIPTION   |
|----------------------------------|------------------|-----------|--|
| A3                               | AFA              | 7-31-2023 | Added machine footprint  |
| DRAWN BY                         |                  | DATE      |  Panama City, FL<br>Phone: 850-249-2222<br>Fax: 850-249-2226<br>www.bandctech.com |
| A. Adcock                        |                  | 9-30-2013 |  |
| CHECKED BY                       |                  | DATE      |  |
| S. Brown                         |                  | 9-30-2013 |  |
| DESCRIPTION                      |                  |           |  |
| General Technical Specifications |                  |           |  |
| <b>HE-85</b>                     |                  |           |  |
| DATE                             | FILE NAME        | SHEET     |  |
| 9-30-2013                        | HE-85GenSpec.cdr | 1 OF 1    |  |