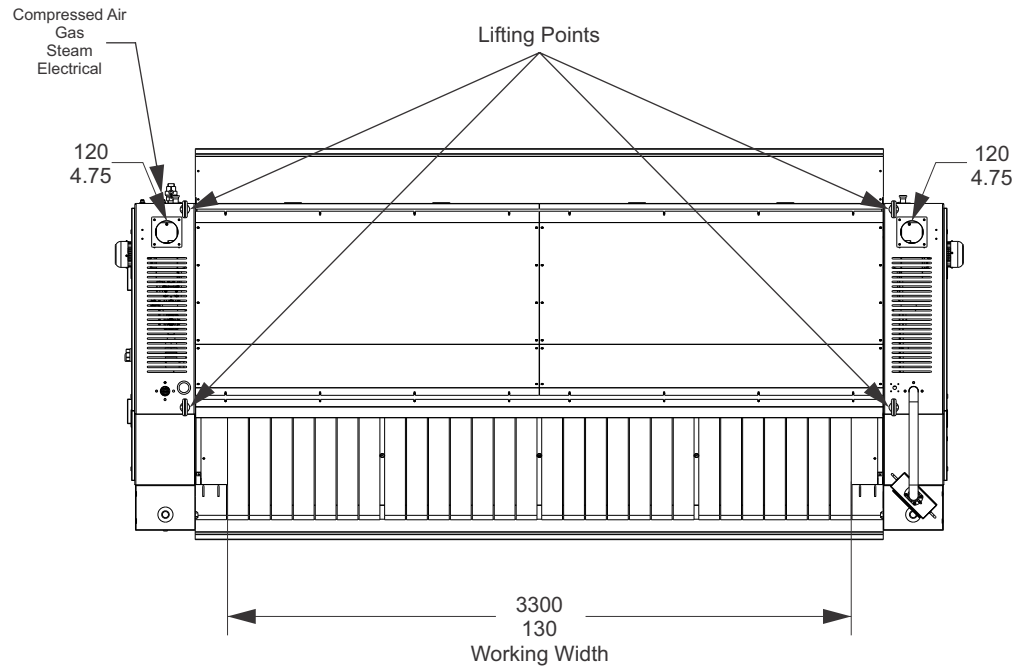
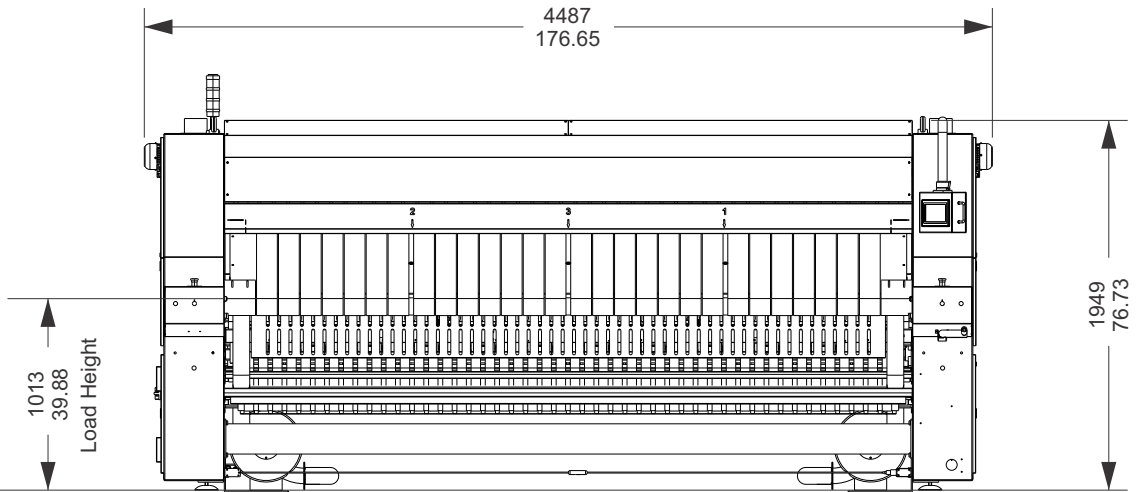
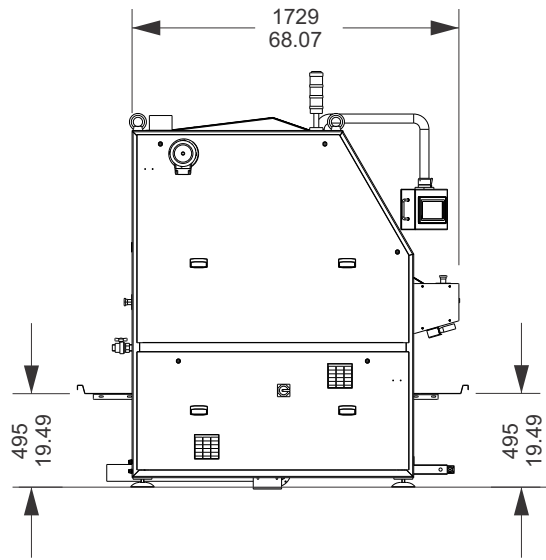


A



General Specifications

Model	Metric	US	IR-32130	
Number of Rolls	#		1	
Roll Diameter	mm	inch	800	32
Working Width	mm	inch	3300	130
Speed Range	m/min	ft/min	4.5-30	15-98
Dimensions				
A - Width	mm	inch	4487	176.7
B - Depth	mm	inch	1729	68.1
C - Height	mm	inch	1949	76.7
Exhaust System				
Air Flow, Primary	cmm	cfm	2 x 17	2 x 600
Exhaust Duct	mm	inch	2 x 120	2 x 4.75
Steam				
Consumption	BHP		11.9	
Pressure	bar	psi	6.3-8.8	90-125
Inlet Size	mm	inch	31.8	1-1/4
Outlet Size	mm	inch	12.7	0.5
Gas				
Heat Input	BTU		477,650	
Gas Inlet Size	mm	inch	25.4	1
Compressed Air				
Inlet Size	mm	inch	12	0.47
Air Requirement	CFM	CMH	1	0.03
Electrical Service				
208-240VAC, 50/60Hz, 3PH	Amps	Breaker	16	20
380-480VAC, 50/60Hz, 3PH	Amps	Breaker	8	15
Weight & Shipping				
Net Weight	kg	lbs	3350	7370
Shipping Weight	kg	lbs	3400	7480

REV	BY	DATE	REV. DESCRIPTION
A2	AFA	9-23-2016	Added pneumatics
DRAWN BY		DATE	 Panama City Beach, FL Phone: 850-249-2222 Fax: 850-249-2226 www.bandctech.com
A. Adcock		9-10-2015	
CHECKED BY		DATE	
C. Oswald		9-10-2015	
DESCRIPTION			
General Technical Specifications IR-32130			
DATE	FILE NAME	SHEET	
9-10-2015	IR-32130-General.cdr	1 OF 1	